

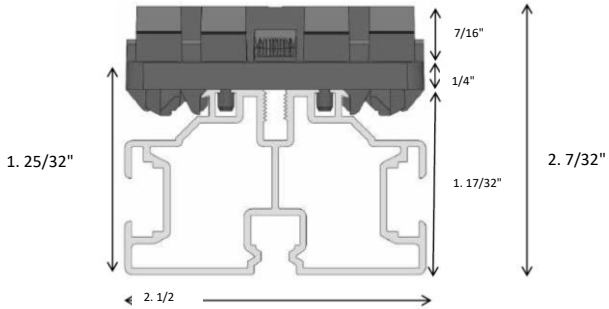






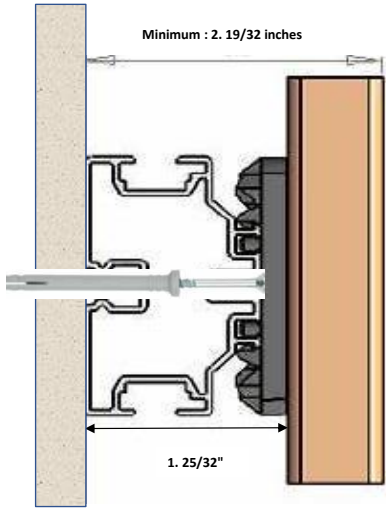
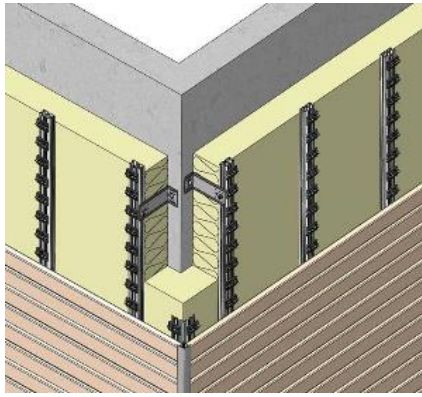
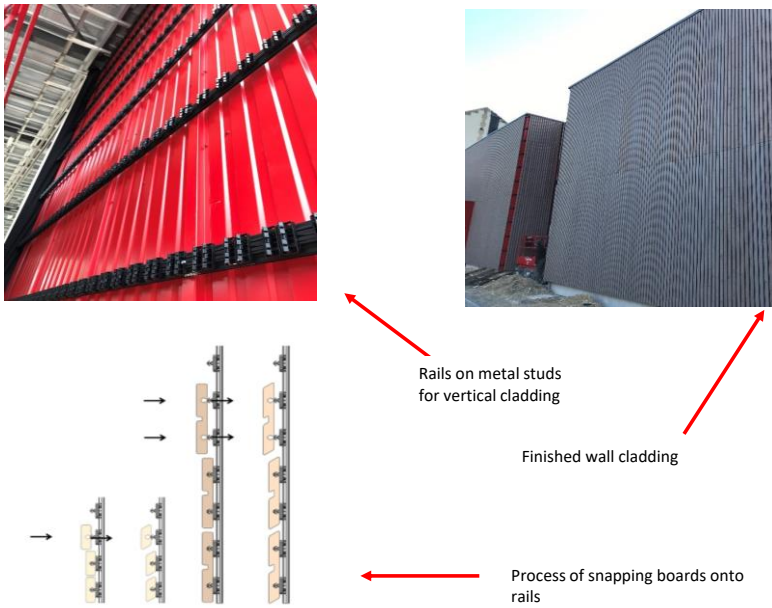
		<b>Fixing solution for outdoor/indoor cladding</b>	
			
<b>Product reference:</b>		<b>PR39 - Maximum rail span: 24"</b>	
<b>Material:</b>		 Rail: Aluminum EN AW-6060 T66 Clips: Polyoxymethylene	
<b>Weight :</b>		0,78lb per linear foot (clips excl.)	
<b>Lengths available :</b>		6' as standard for 4.7" boards All lengths possible up to 12'	
<b>Board compatibility:</b>		<b>20 types of wood species including tropical woods + wpc + aluminum boards</b> All boards from 2" up to 8" wide	
<b>Rail fixing:</b>		Every 4' maximum	
<b>Clips' pull-out resistance:</b>		Minimum: 180kg / double anchor	
<b>Applications:</b>		for gap cladding / overlapped cladding vertical / horizontal / diagonal cladding outdoor / indoor	
<b>Dimensions :</b>			
<b>Useful accessories</b>			
<b>Top Links</b>	<b>Screws</b>	<b>Wall fixing brackets</b>	<b>Removal keys (for gap cladding only)</b>
			

	<p align="center"><b>Fixing solution for outdoor/indoor cladding</b></p>
	
<p><b>Product reference:</b></p>	<p align="center"><b>PR39 - Maximum rail span: 24"</b></p>
<p align="center"><b>Types of cladding installation :</b></p>	
<p align="center">On studs or directly on the wall where applicable</p> 	<p align="center">Over insulation panels</p> 
<p align="center"><b>Installation illustrations:</b></p>	
 <p align="center">         Rails on metal studs for vertical cladding          Finished wall cladding          Process of snapping boards onto rails     </p>	
<p><b>Related Data Sheets</b>          Cladding installation guide for PR39          Removal keys          Top Links</p>	<p><b>References</b>          PDS-PR39-CLG-USA-01          PDS-KEYS-USA-01          PDS-TOPL-USA-01</p>

This information is based on our current experience and is intended to illustrate how the product can be used for cladding utilizations. Always seek manufacturer's advice to complete your projects and follow installation guidelines. Pictures not contractual.